

**A-CM SERIES**  
**T8 or T5 CORNER MOUNT RADIAL LENS**



**Housing:** 22GA steel.  
**Finish:** Baked white enamel or post powdercoat steel.  
**Construction:** CNC formed and mechanically joined.  
**Lens:** Proprietary high-performance, radial, linear lens.

SPEC	NOM.	DESCRIPTION
Finish	--- P	Baked white enamel – no designation needed Powdercoat <b>gloss white</b>
Dimension	12 13 14 18	Nominal 5" wide x 24" long Nominal 5" wide x 36" long Nominal 5" wide x 48" long Nominal 5" wide x 96" long
Lamping	1 2 3 4	<b>T8 = 32W, 25W, 17W per lamp</b> <b>T5 = 54W, 39W, 21W or 28W, 21W, 14W per lamp</b> <b>Lamps are not included unless otherwise noted</b> (1) lamp in cross section (2,3,4ft) (2) lamps in cross section (2,3,4ft); 1 in cross (8ft) (3) lamps in cross section (2,3,4ft) (4) lamps - 2 in cross section (8ft only)
Ballast	S L H D P SP HP  S5 H5 DS DH	<b>T8</b> Standard Electronic T8 Low Output Electronic T8 High Output Electronic T8 Electronic Dimming T8 – specify type & voltage Program Start Electronic T8 Standard Output/Program Start Combination T8 High Output/Program Start Combination T8 <b>T5</b> Standard Electronic T5 28W High Output Electronic T5 54W Dimming Standard Electronic T5 28W Dimming High Output Electronic T5 54W <i>Specify type &amp; voltage if dimming</i>

**Mounting:** Suspended or surface mounted.  
**Distribution:** Wide.  
**Electrical:** Electronic Low, Standard or High output options; Instant Start is factory standard for T8, Program Start for T5; <10% THD; Inherent thermal protection; Dimming and Emergency available.  
**Labels:** UL/CUL listed. Damp Location.

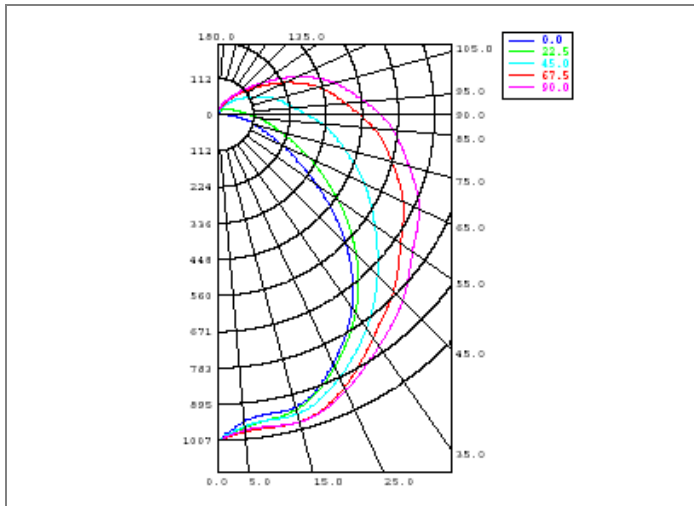
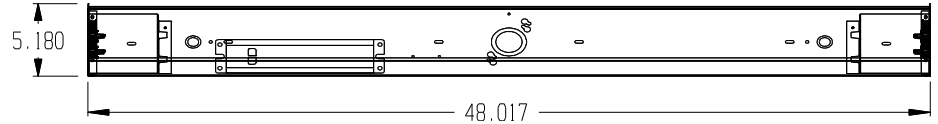
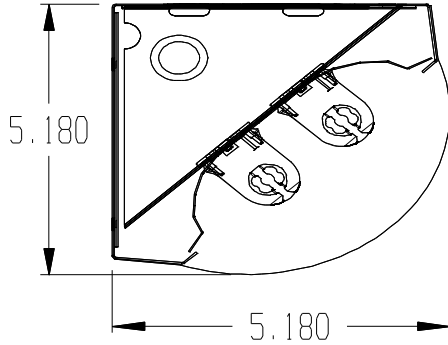
SPEC	NOM.	DESCRIPTION
Lens	RL	Radial linear acrylic
Voltage	U H 1B 2B	Universal volt 120-277 (factory standard) 347-480 volt Emergency Battery Back-up 120v Emergency Battery Back-up 277v (T8 = 500 lumens factory standard) (T5 std = 500 lumens or T5HO = 825 lumens)
Reflector	E W	Enhanced Aluminum 95% reflective White Aluminum 90%+ reflective
Mounting	--- --- C Y	Surface Mounted (standard) - no designation needed Chain Suspended (by others) - no designation needed 8ft Powercord, black 18/3 wire with 3 prong, 120v plug Y-fit Gripple® Toggle 6" Y x 8' long Shows as separate line item on order: part# H-Y6"HNGR-10'
Options	G L O D  AB	Fully Gasketed for bug reduction Lamps Installed (shows as separate line item on order) Open 360° Motion Sensor **extends fixture length 6" Open 360° Motion Sensor w/ Daylight Control Photocell **extends fixture length 6" A/B Switched

**ORDERING NOMENCLATURE GUIDE**

**Standard Fixture: A-CM142SRLUE**  
Catalog # for a CM Type Fixture – Baked White Enamel - Nominal 1 ft x 4 ft Long - 2 Lamps in cross section - Standard T8 Electronic Ballast - Radial Lens - Universal Voltage - Enhanced Reflector - Standard Surface Mount - No Options.

Amerillum Product	Series	Finish	Dimension	Lamping	Ballast	Lens	Voltage	Reflector	Mounting	Options
<b>A -</b>	<b>CM</b>									

**A-CM SERIES**  
**T8 or T5 CORNER MOUNT RADIAL LENS**



**PRODUCT NUMBER = A-CM142SRLUE**

**FIXTURE EFFICIENCY = 71.5%**

**S.M.H. = 1.34**

**WATTAGE = 52W (BASED ON 277V)**

**RCR TABLE AVAILABLE**

**IES PHOTOMETRIC FILE AVAILABLE**

**SPECIFICATION CHARACTERISTICS**

- **Wide Distribution Utilizing Energy Efficient Components Throughout**
- **Highly Efficient Luminaire – Over 71%**
- **Instant On, Long Life, Lower Energy Consumption, No Color Shift**
- **Uniform Illumination**
- **Dimming, Emergency Options**
- **Multiple Motion Sensor Options – Extends Fixture Length 6”**
- **Multiple Mounting Options: Surface Mount, Chain or Gripple Ready or Cord**
- **Proprietary Radial Linear Acrylic Lens for Wide, Even Distribution**
- **Multiple Finish Options: Gloss White Post Powdercoated or Baked White Enamel Steel**
- **Short Lead Times**