



CF Compact fluorescent Installation

Amerillum Corporation. CF Compact Fluorescent fixture, Please read these instructions completely before installing.

WARNING: Risk of fire or electric shock. Install this fixture only in dimensions shown in drawing FIGURE:



- STEP: 1 Remove Tamper proof screws form lens frame.
STEP: 2 Remove lens

STEP: 3 Remove wing nuts located in fixture body (SEE FIGURE).

STEP: 4 Remove fixture body exposing mounting holes in Mounting plate

STEP: 5 Install mounting plate to location to be mounted.

Note: Use fasteners type that comply with:

- A) N.E.C. National Electric Code.
- B) U.B.C. Uniform Building Code.
- C) Locality Statute.

WARNING: To prevent wire damage or abrasion, DO NOT exposes wire to edge of sheet metal or other sharp object .DO NOT MAKE OR ALTER ANY OPEN HOLES IN AN ENCLOSURE OF WIRE OR ELECTRICAL COMPONENT DURING KIT INSTALLATION.

STEP: 6 Ground fixtures to existing fixture or to be conductively grounded to an acceptable termination point.

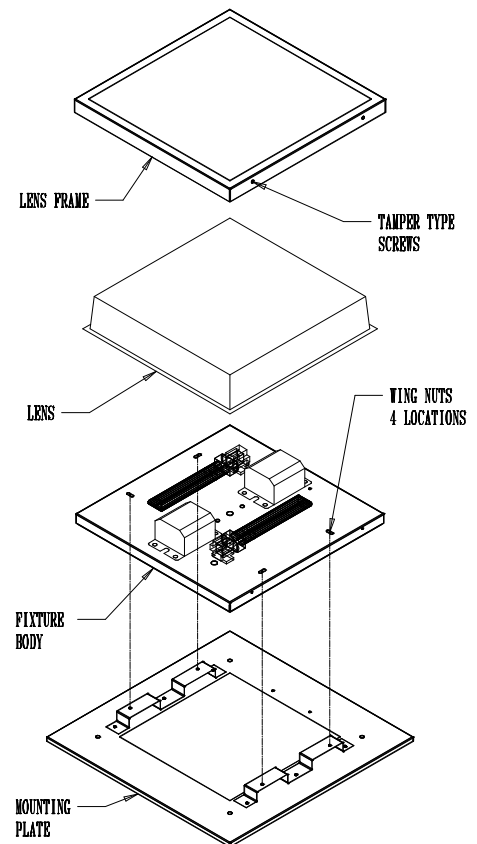
STEP: 7 Install body on stud locations and refasten #8-32 wire nuts.

WARNING: Risk of fire or electric shock. Fixture ballast wire or other electrical parts may be damaged when drilling for installation of hardware. Check for enclosed wire and components.

STEP: 8 Install lamps

WARNING: Risk of fire or electric shock. Installation requires knowledge of fluorescent lighting electrical systems. If not qualified, DO NOT ATTEMPT installation. Contact a qualified electrician.

STEP: 9 Reinstall lens with lens frame and refasten Tamper proof screws.



Thank you for purchasing an Amerillum corporation. CF Compact Fluorescent fixture.