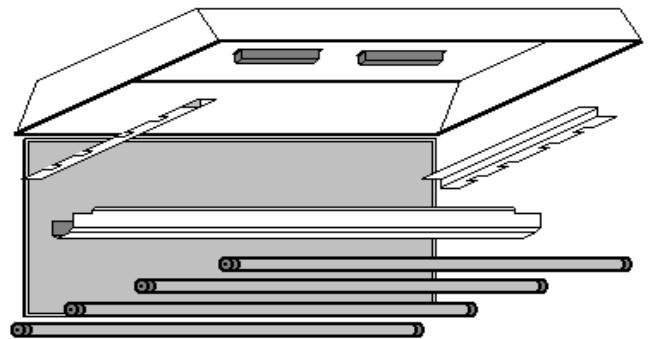
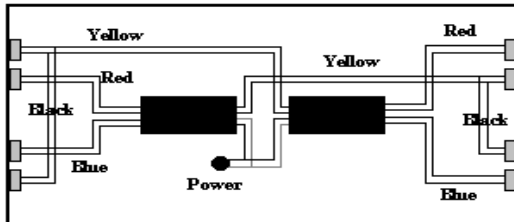


Thank you for purchasing an Amerillum Corporation reflector kit. Please read these instructions completely before installing.

- STEP 1      **TURN OFF POWER TO FIXTURE.** Remove fixture diffuser (if any) and remove all lamps.
- STEP 2      Remove ballast cover enclosure and lamp sockets mounting brackets.
- STEP 3      Disconnect power and cap off leads, then remove ballast.
- STEP 4      Install NEW ballast and NEW lamp sockets onto ballast leads.

**WARNING:**      Risk of fire or electric shock. Install this kit only in fixture and dimensions shown in drawing.

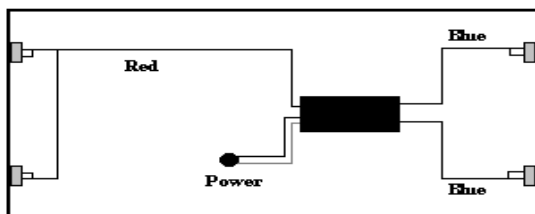
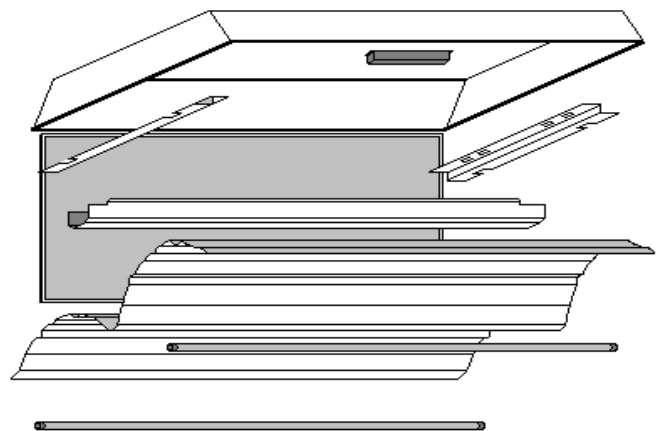


**WARNING:**      To prevent wire damage or abrasion, DO NOT expose wire to edges of sheet metal or other sharp object. DO NOT MAKE OR ALTER ANY OPEN HOLES IN AN ENCLOSURE OF WIRE OR ELECTRIC COMPONENT DURING KIT INSTALLATION.

- STEP 5      Insert lamp sockets in NEW mounting brackets and Install brackets at each end of the fixture.
- NOTE:      USE TWO SELF-DRILLING SCREWS PER BRACKET (not provided).

**WARNING:**      Risk of fire or electric shock. Fixture ballast wire, or other electrical parts, may be damaged when drilling for installation of reflector kit hardware. Check for enclosed wire and components.

- STEP 6      Connect power leads from ballast and install reflector to the special tabs that allow the reflector to clip on.
- STEP 7      Install NEW lamps.



**WARNING:**      Risk of fire or electric shock. Reflector kit installation requires knowledge of fluorescent lighting electrical systems. If not qualified, DO NOT ATTEMPT installation. Contact a qualified electrician.

**NOTE:** WHEN INSTALLING A THREE PIECE REFLECTOR KIT, INSTALL THE SIDES FIRST. THEN INSTALL THE CENTER PIECE THAT CLIPS ON TO THE SPECIAL TABS ON EACH OF THE SIDE REFLECTORS. THIS WILL ALLOW EASY ACCESS TO THE BALLAST WITH OUT REMOVING THE SIDES OF THE REFLECTOR KIT.